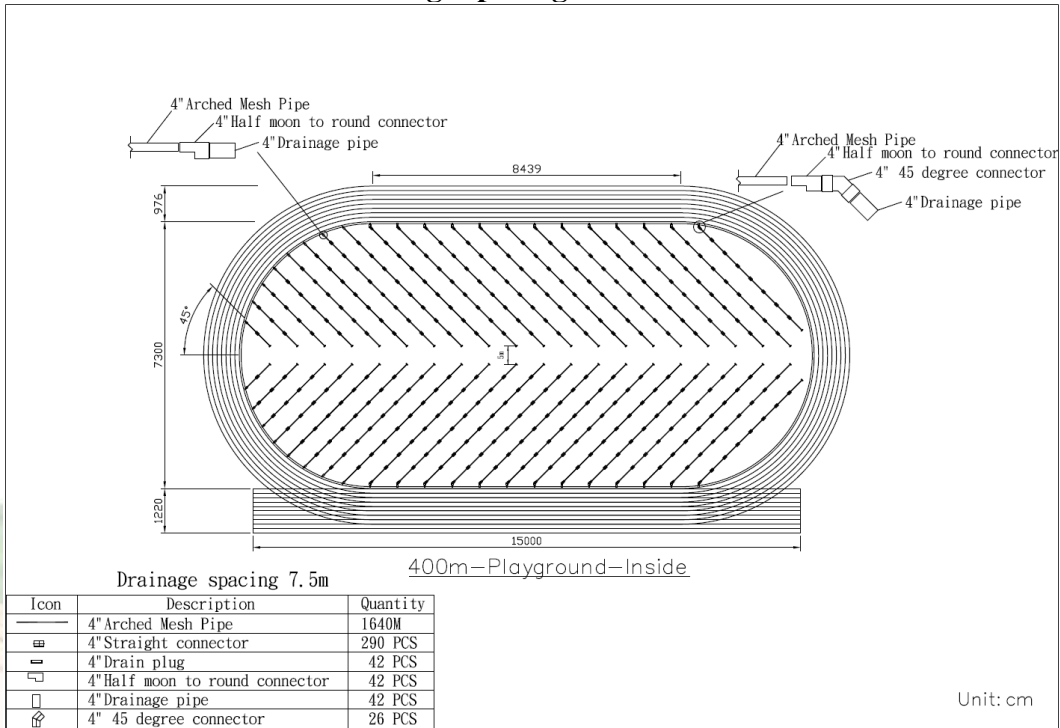


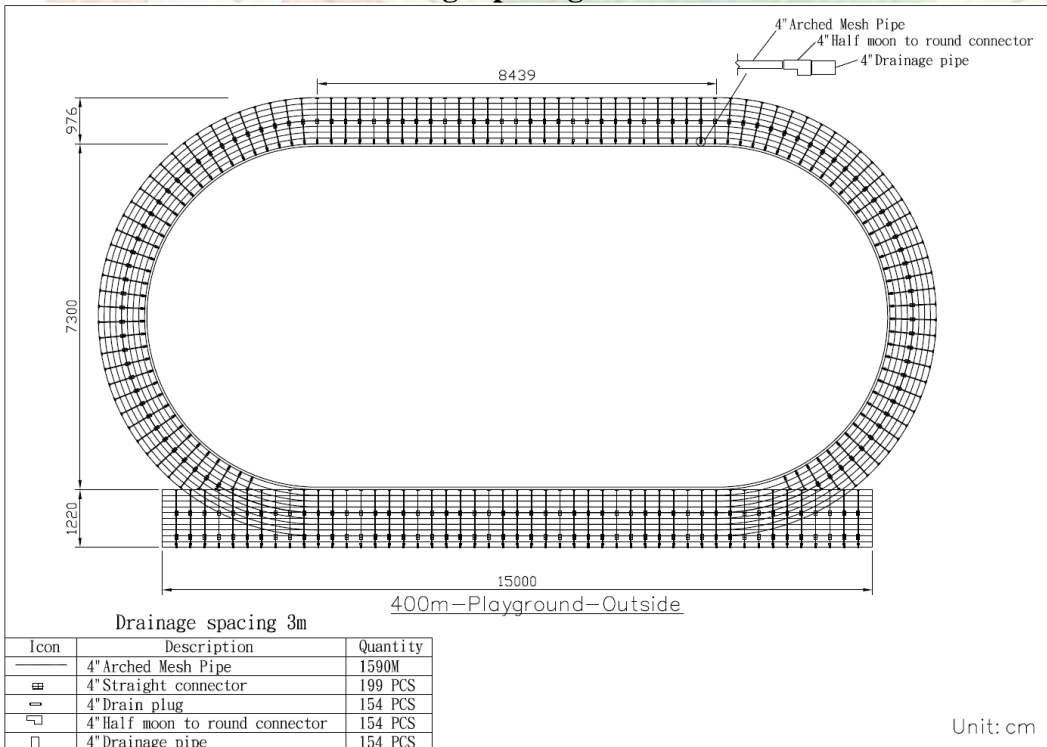
## Arched Mesh Pipe – Sport Field Drainage Design Diagram

### 400 m sports field drainage - internal drainage Drainage spacing - 7.5 meters



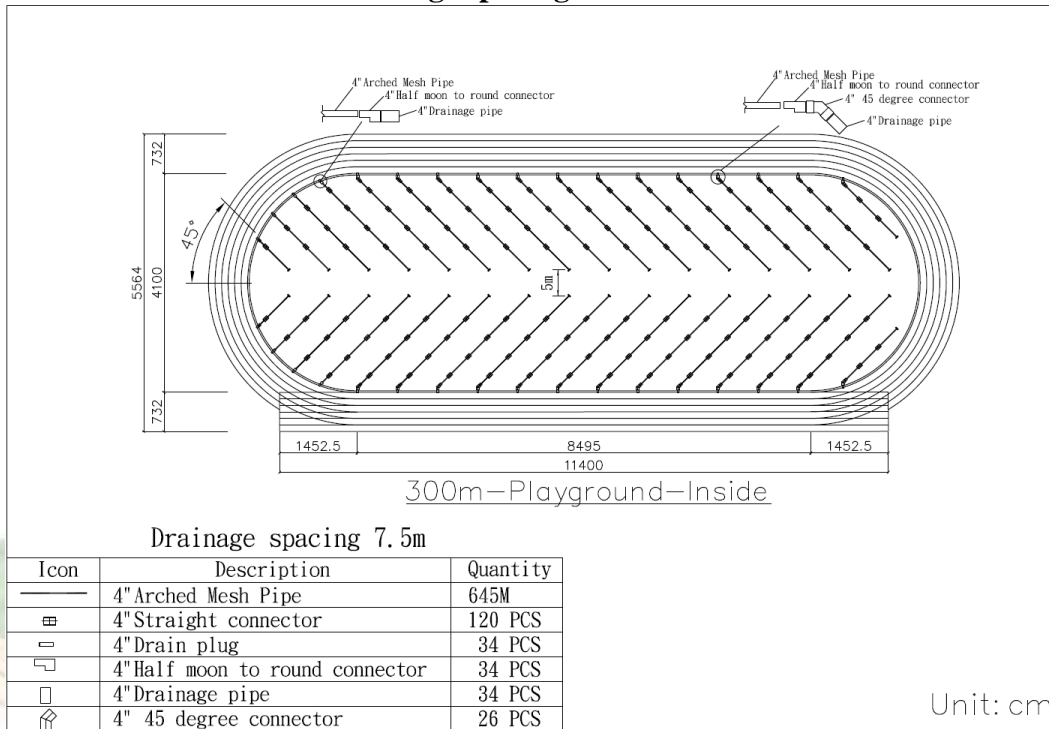
### 400 m sports field floor plan - internal drainage spacing 7.5 m

### 400 meters sports field drainage - runway drainage Drainage spacing -3 meters



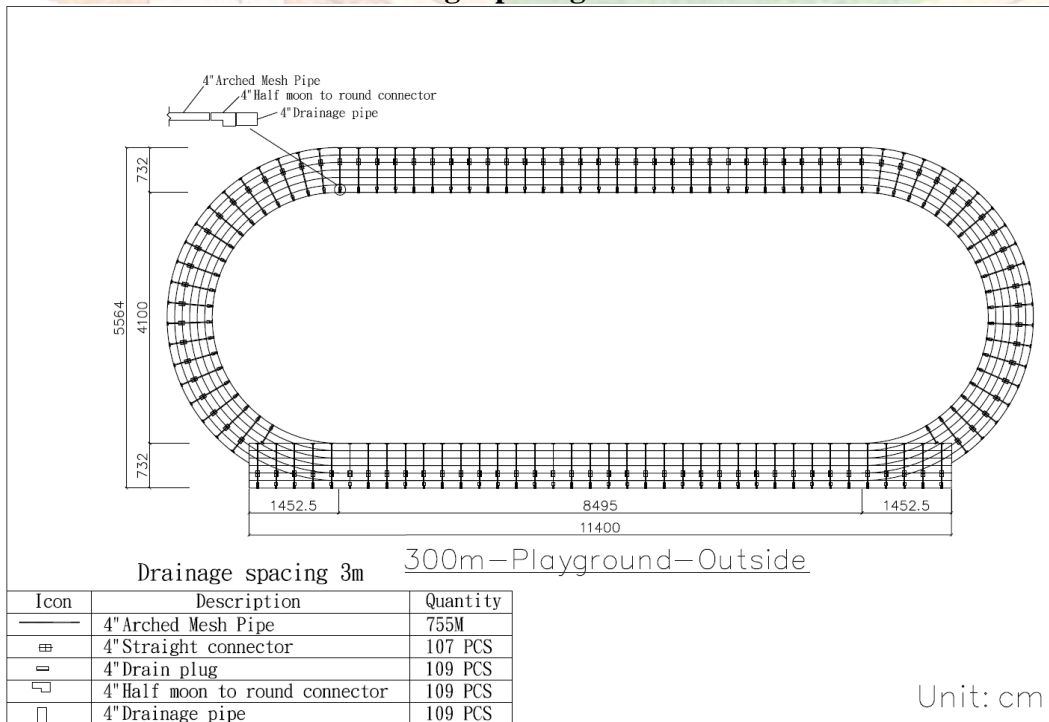
### 400 m sports field floor plan - runway drainage spacing 3.0 m

**300 m sports field drainage - internal drainage**  
**Drainage spacing - 7.5 meters**



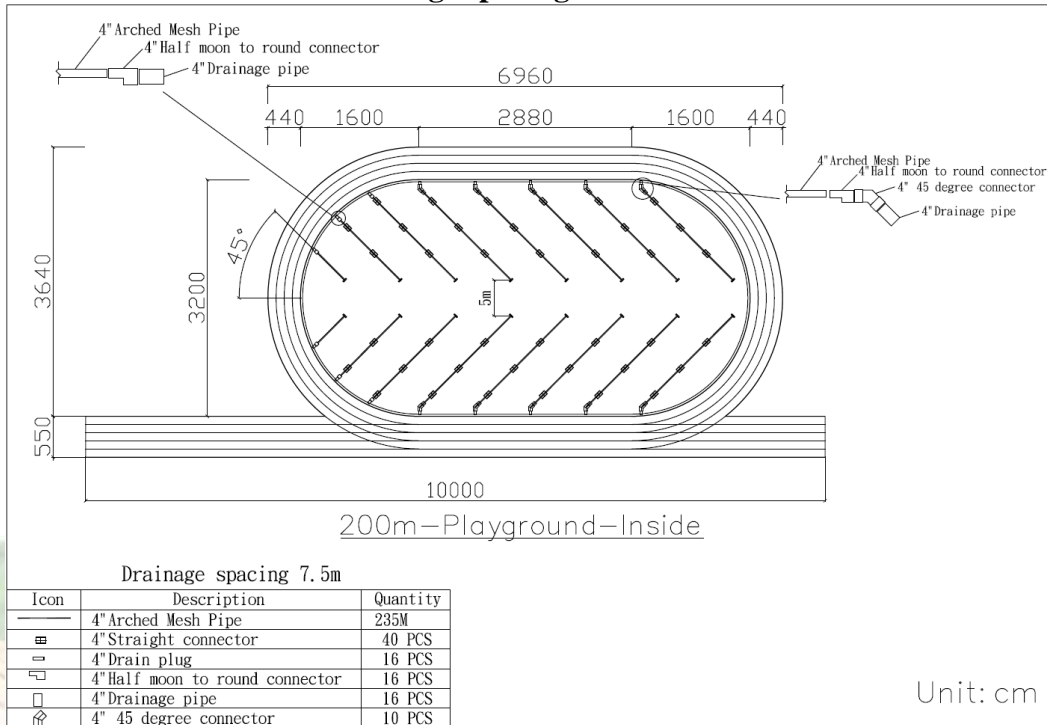
**300 m sports field floor plan - internal drainage spacing 7.5 m**

**300 meters sports field drainage - runway drainage**  
**Drainage spacing -3 meters**



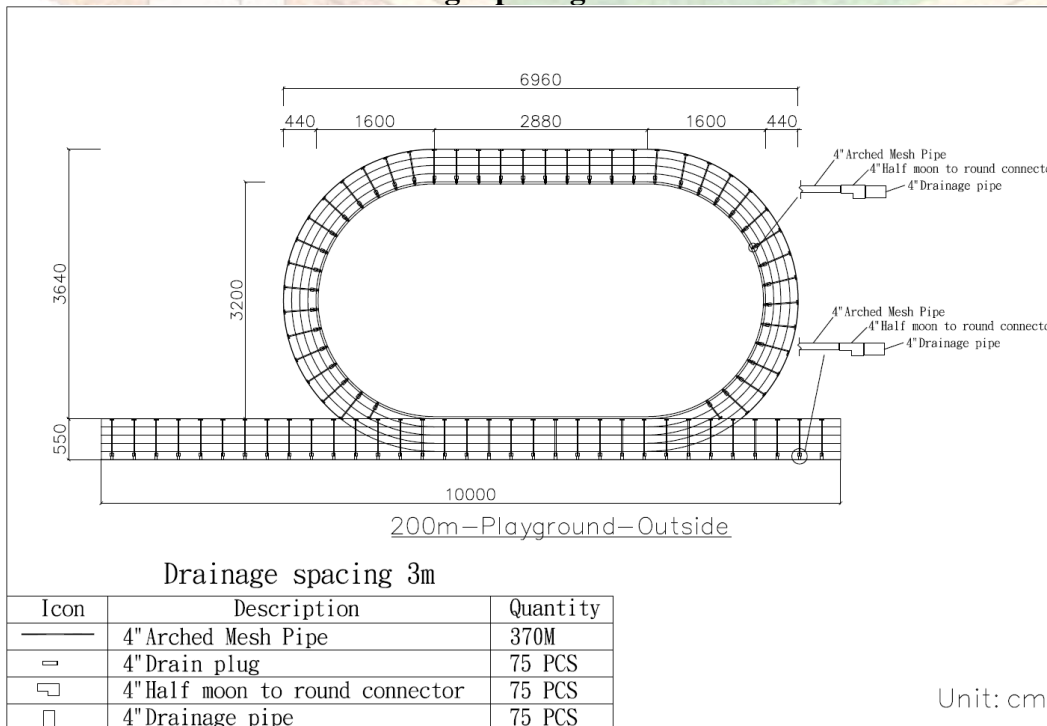
**300 m sports field floor plan - runway drainage spacing 3.0 m**

**200 m sports field drainage - internal drainage**  
**Drainage spacing - 7.5 meters**



**200 m sports field floor plan - internal drainage spacing 7.5 m**

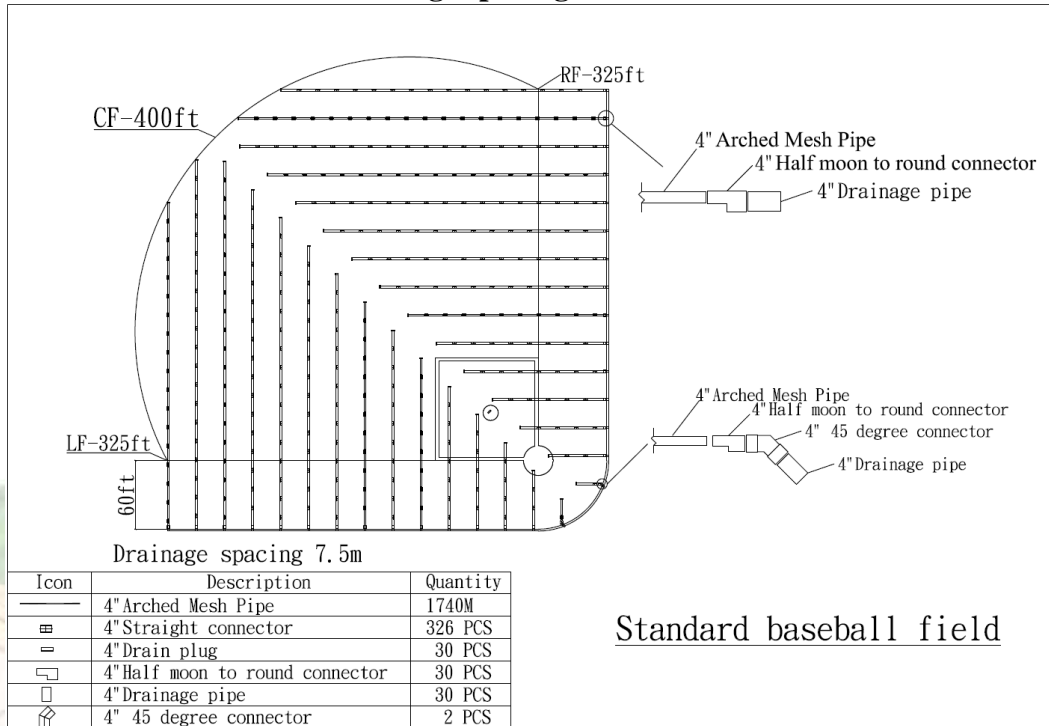
**200 meters sports field drainage - runway drainage**  
**Drainage spacing -3 meters**



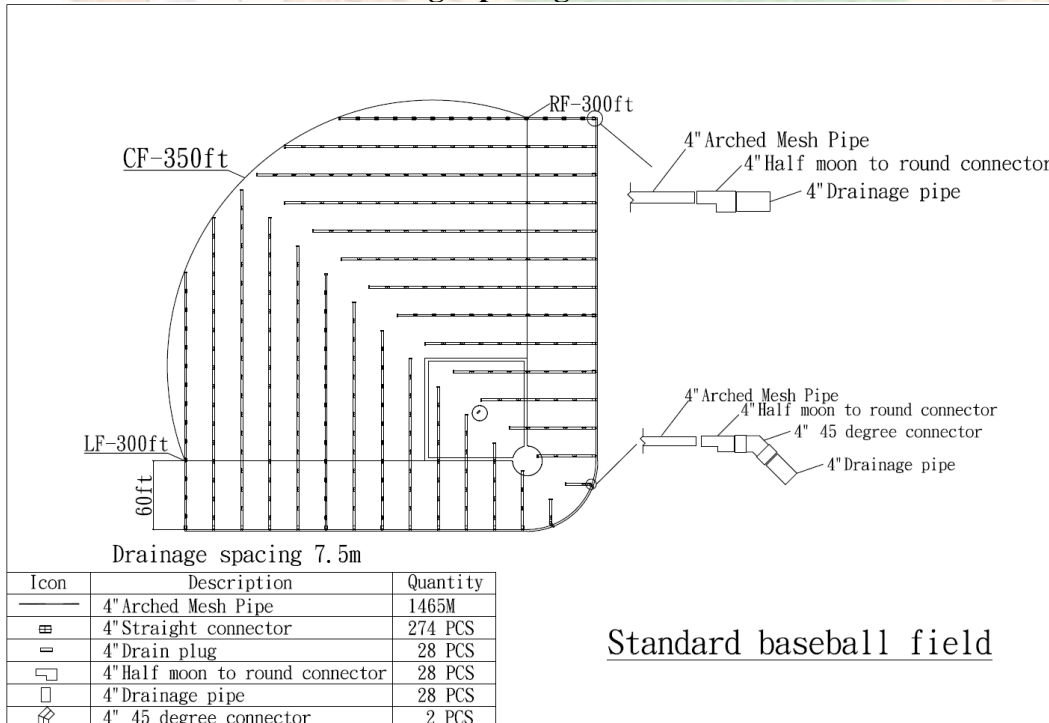
**200 m sports field floor plan - runway drainage spacing 3.0 m**

## Arched Mesh Pipe – Baseball Field Drainage Design Diagram

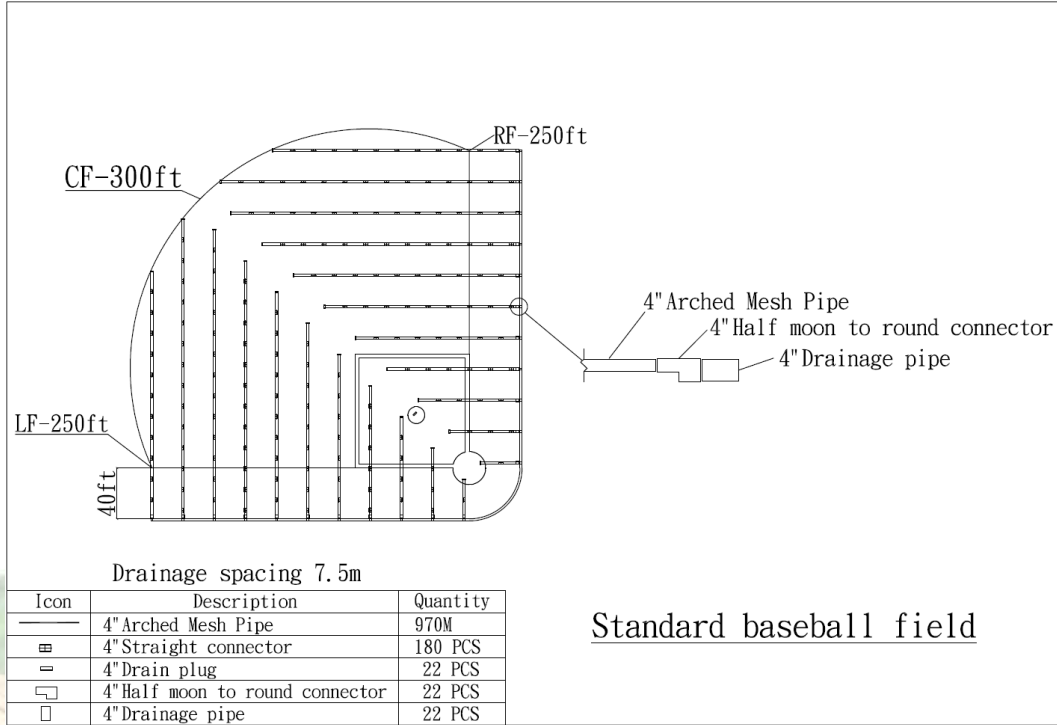
### 400 feet baseball field drainage Drainage spacing - 7.5 meters



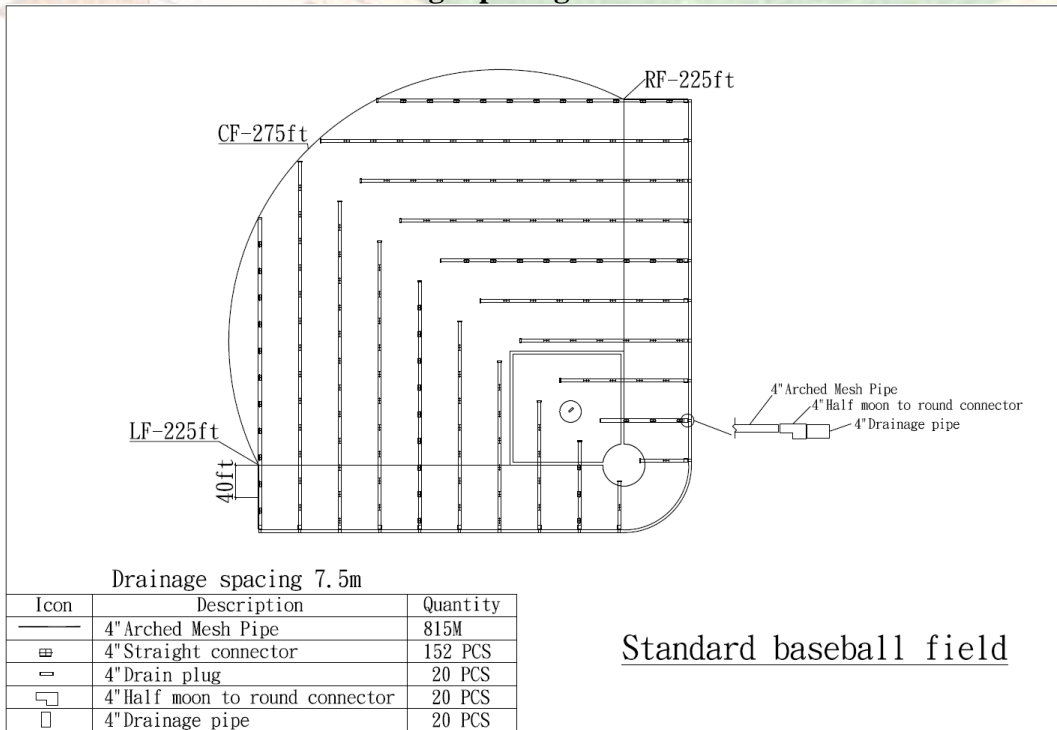
### 350 feet baseball field drainage Drainage spacing - 7.5 meters



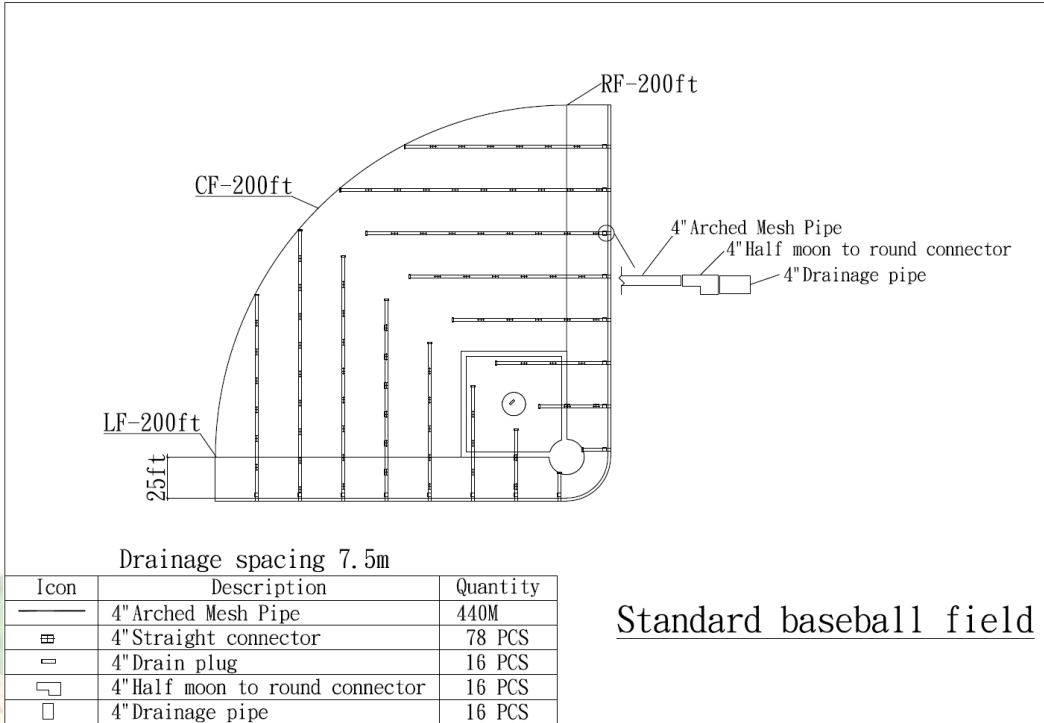
**300 feet baseball field drainage  
Drainage spacing - 7.5 meters**



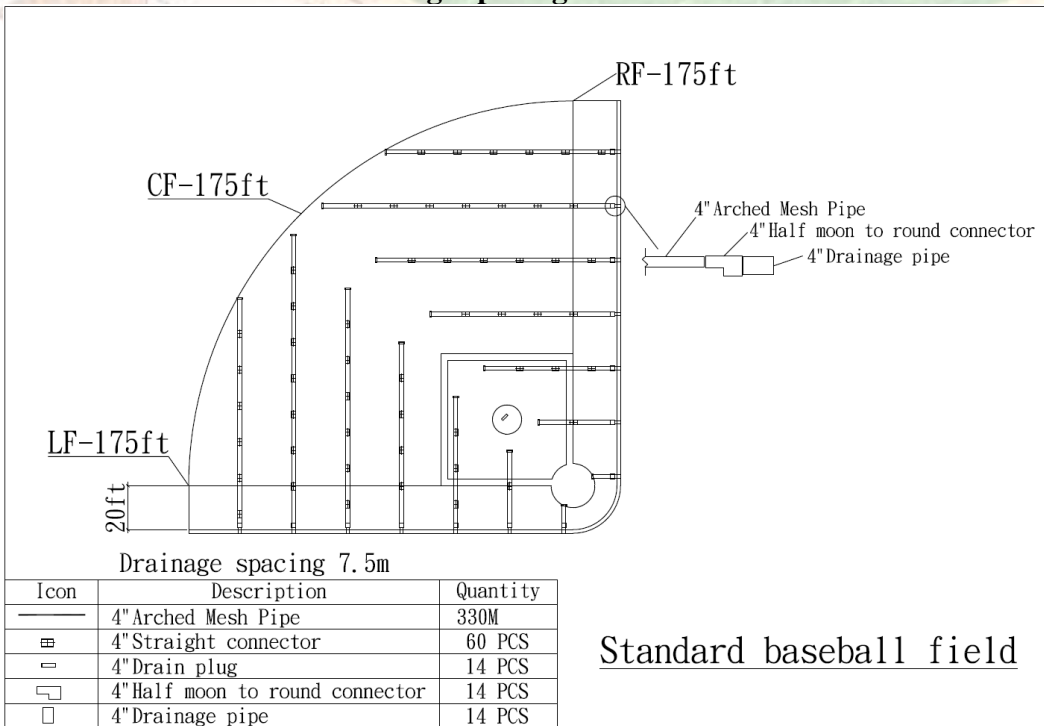
**275 feet baseball field drainage  
Drainage spacing - 7.5 meters**



**200 feet baseball field drainage**  
**Drainage spacing - 7.5 meters**

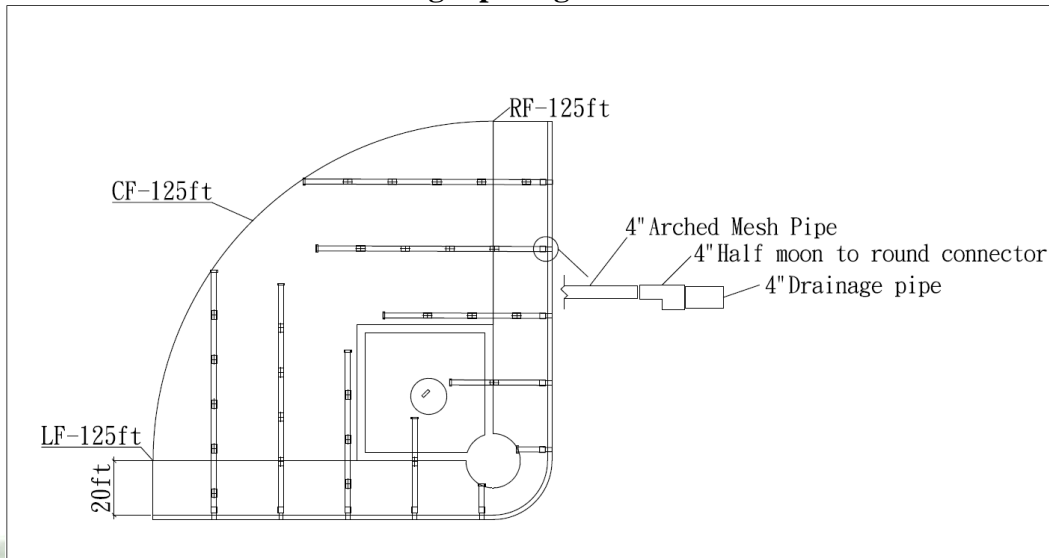


**175 feet baseball field drainage**  
**Drainage spacing - 7.5 meters**





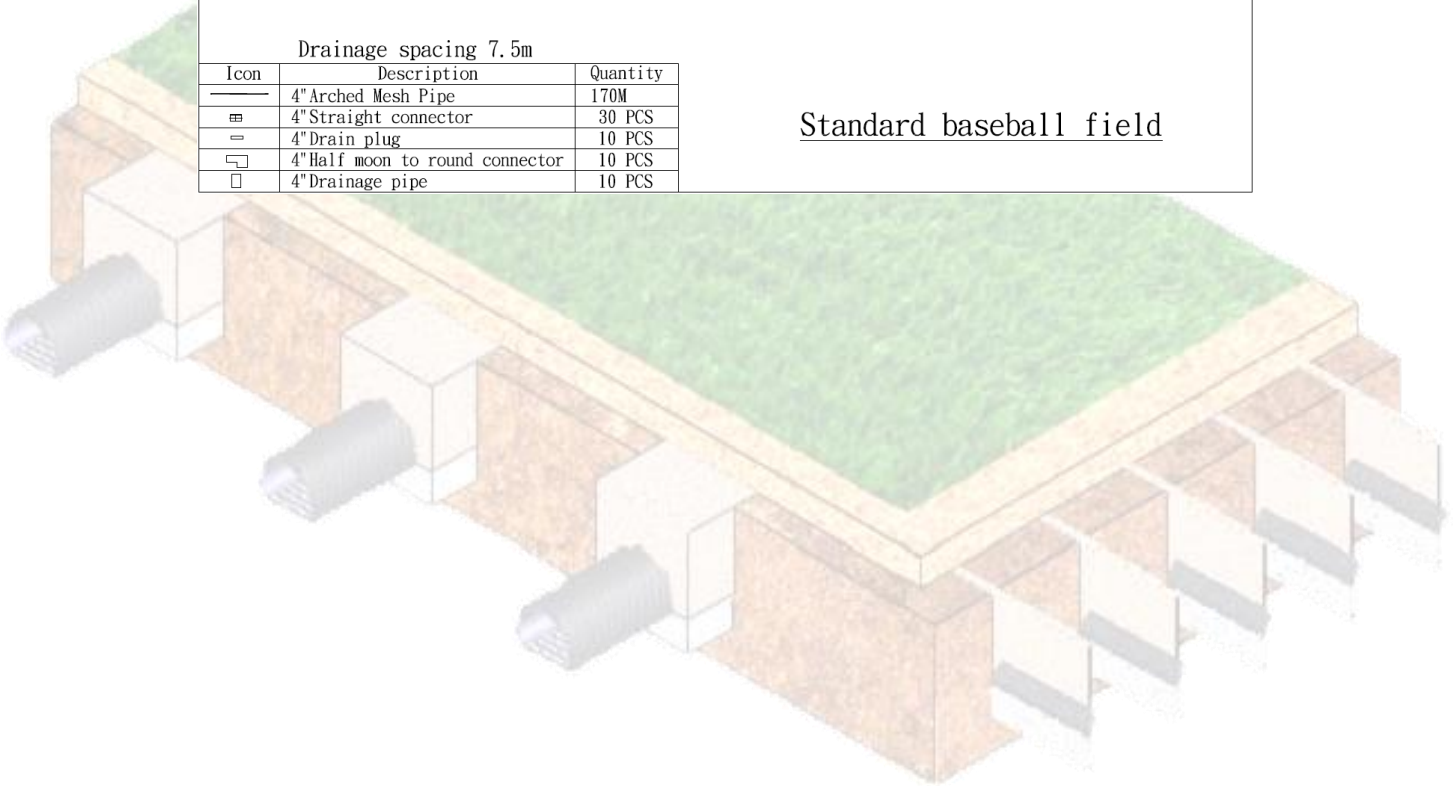
**125 feet baseball field drainage  
Drainage spacing - 7.5 meters**



Drainage spacing 7.5m

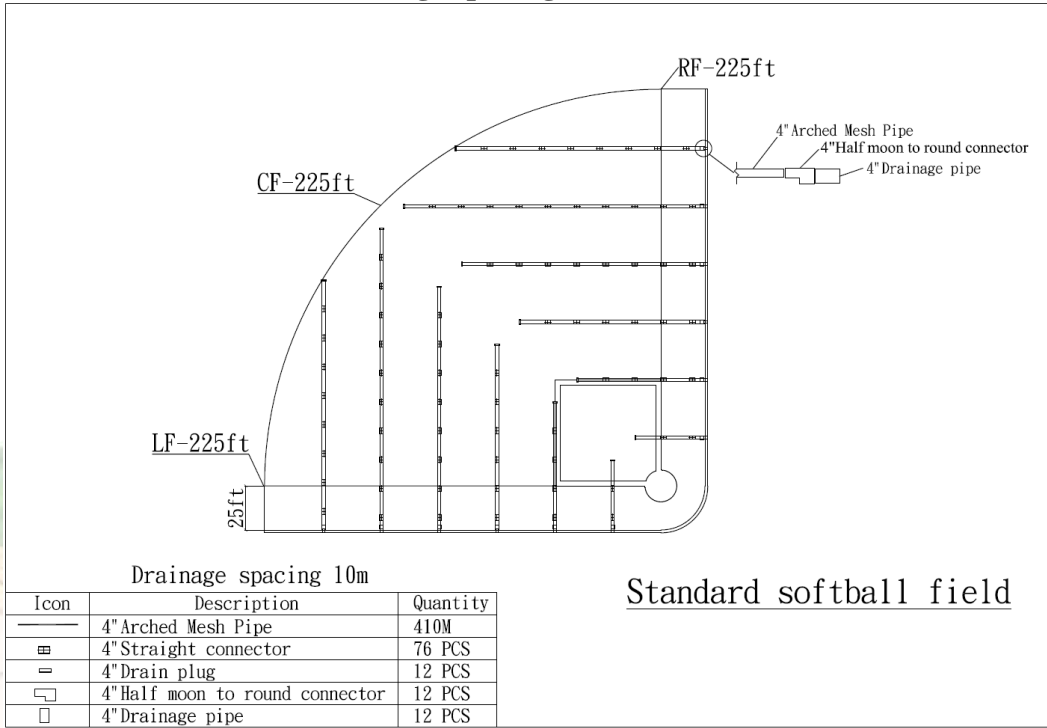
Icon	Description	Quantity
—	4" Arched Mesh Pipe	170M
⊞	4" Straight connector	30 PCS
⊘	4" Drain plug	10 PCS
⌋	4" Half moon to round connector	10 PCS
□	4" Drainage pipe	10 PCS

Standard baseball field



## Arched Mesh Pipe – Softball Field Drainage Design Diagram

### 225 feet Softball field drainage Drainage spacing – 10.0 meters



### 225 feet Softball field drainage Drainage spacing – 12.5 meters

